

Features

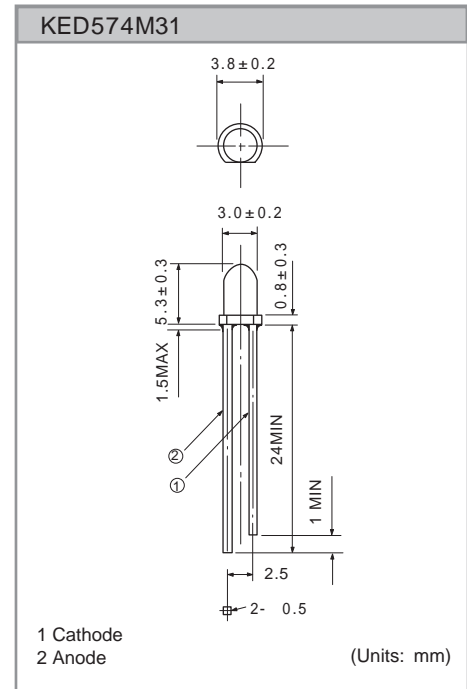
- High luminous Intensity
- Direct modulation

Applications

- Optical switches
- Optical instruments
- Automatic control apparatus

Maximum ratings

Item	Symbol	Value	Units
Forward Current	I_F	5.0	mA
Peak Forward Current	I_{FP}	0.5 (Pulse width=100 μ s, Duty ratio= 1%)	A
Reverse Voltage	V_R	4	V
Power Dissipation	P_D	120	mW
Operating Temperature	T_{op}	-30 ~ + 85	°C
Storage Temperature	T_{stg}	-30 ~ +100	°C
Soldering Temperature	T_{sol}	260 (5sec max)	°C



Characteristics (T_a=25 °C unless otherwise noted.)

Parameter	Symbol	Min.	Typ.	Max.	Units	Test Conditions
Forward Voltage	V_F		2.1	2.4	V	$I_F = 20\text{mA}$
Reverse Current	I_R			10	μA	$V_R = 4\text{V}$
Optical Output Power	P_O		0.30		mW	$I_F = 20\text{mA}$
Emission Wavelength	λ_D		570		nm	$I_F = 20\text{mA}$
Spectral Bandwidth at 50%	$\Delta\lambda$		20		nm	$I_F = 20\text{mA}$
Half angle	$\Delta\theta$		±5		deg.	$I_F = 20\text{mA}$