

## Features

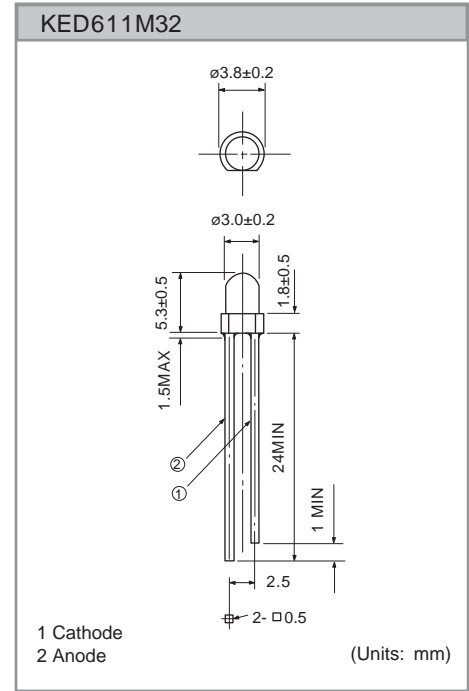
- High luminous Intensity
- Direct modulation

## Applications

- Optical switches
- Optical instruments
- Automatic control apparatus

## Maximum ratings

Item	Symbol	Value	Units
Forward Current	$I_F$	5.0	mA
Peak Forward Current	$I_{FP}$	0.5 (Pulse width=100 $\mu$ s, Duty ratio= 1%)	A
Reverse Voltage	$V_R$	4	V
Power Dissipation	$P_D$	120	mW
Operating Temperature	$T_{opr}$	-30 ~ + 85	°C
Storage Temperature	$T_{stg}$	-30 ~ +100	°C
Soldering Temperature	$T_{sol}$	260 (5sec max)	°C



## Characteristics (T<sub>a</sub>=25 °C unless otherwise noted.)

Parameter	Symbol	Min.	Typ.	Max.	Units	Test Conditions
Forward Voltage	$V_F$		2.1	2.4	V	$I_F = 20\text{mA}$
Reverse Current	$I_R$			10	$\mu$ A	$V_R = 4\text{V}$
Luminous Intensity	$I_V$		350		mcd	$I_F = 20\text{mA}$
Emission Wavelength	$\lambda$		615		nm	$I_F = 20\text{mA}$
Spectral Bandwidth at 50%			20		nm	$I_F = 20\text{mA}$
Half angle	$\theta$		$\pm 35$		deg.	$I_F = 20\text{mA}$