

Cap Isolated 2-pin Mini Can InGaAs PD



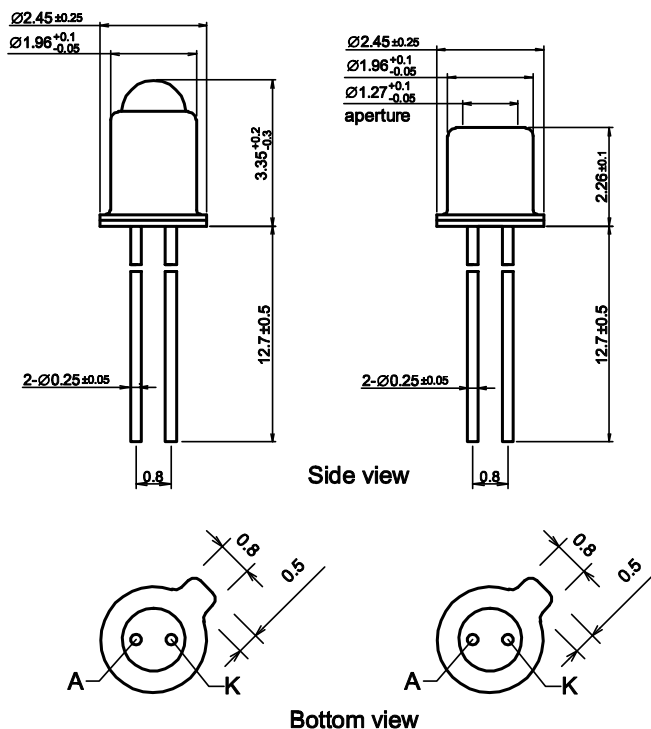
Features

- Low capacitance and high speed with a PIN structure
- Low dark current
- High reliability
- Pigtail type is available as an option

Applications

- Digital and analog optical communication
- Optical LAN
- OTDR

Dimensions (unit: mm)



KPDExxx-S

KPDExxx-SW

Specifications

Absolute Maximum Ratings

Parameter	Symbol	Value	Unit
Reverse voltage	V_R	20	V
Maximum optical power input	KPDE008-S	10	mW
	KPDE020-S	20	
	KPDE030-S	30	
Forward current	I_F	10	mA
Operating temperature	T_{opr}	-40 to +85	°C
Storage temperature	T_{stg}	-40 to +85	°C

Specifications are subject to change without notice.

1) KPDE008-S
Electrical and Optical characteristics (Ta=25°C unless otherwise noted)

Parameter	Symbol	Min.	Typ.	Max.	Unit	Conditions
Active diameter	D	80			μm	
Bandwidth	BW		2.0		GHz	$R_L=50\Omega$, $P_i=-10\text{dBm}$, $V_R=5\text{V}$
Responsivity	R	0.8			A/W	$\lambda=1310\text{nm}$, $V_R=5\text{V}$
		0.9				$\lambda=1550\text{nm}$, $V_R=5\text{V}$
Dark current	I_D			160	pA	$V_R=5\text{V}$
Total capacitance	C_t			1.1	pF	$V_R=5\text{V}$, $f=1\text{MHz}$

2) KPDE020-S
Electrical and Optical characteristics (Ta=25°C unless otherwise noted)

Parameter	Symbol	Min.	Typ.	Max.	Unit	Conditions
Active diameter	D	200			μm	
Bandwidth	BW		1.0		GHz	$R_L=50\Omega$, $P_i=-10\text{dBm}$, $V_R=5\text{V}$
Responsivity	R	0.8			A/W	$\lambda=1310\text{nm}$, $V_R=5\text{V}$
		0.9				$\lambda=1550\text{nm}$, $V_R=5\text{V}$
Dark current	I_D			400	pA	$V_R=5\text{V}$
Total capacitance	C_t			5	pF	$V_R=5\text{V}$, $f=1\text{MHz}$

3) KPDE030-S
Electrical and Optical characteristics (Ta=25°C unless otherwise noted)

Parameter	Symbol	Min.	Typ.	Max.	Unit	Conditions
Active diameter	D	300			μm	
Bandwidth	BW		0.6		GHz	$R_L=50\Omega$, $P_i=-10\text{dBm}$, $V_R=5\text{V}$
Responsivity	R	0.8			A/W	$\lambda=1310\text{nm}$, $V_R=5\text{V}$
		0.9				$\lambda=1550\text{nm}$, $V_R=5\text{V}$
Dark current	I_D			600	pA	$V_R=5\text{V}$
Total capacitance	C_t			6	pF	$V_R=5\text{V}$, $f=1\text{MHz}$

Specifications are subject to change without notice.

Contacts:
www.kyosemi.co.jp / info@kyosemi.co.jp

Kansai Sales Office: 949-2 Ebisu-cho, Fushimi-ku, Kyoto, 612-8201 Japan Tel: +81 75 605 7311 Fax: +81 75 605 7312 (Overseas Sales Dept.)

 Tokyo Sales Office: 24th Sky Building, 2nd Floor, 1-34-3 Shinjuku, Shinjuku-ku, Tokyo 160-0022 Japan Tel: +81 3 5312 5360 Fax: +81 3 5312 5367

Eniwa Operation: 385-31 Toiso, Eniwa-shi, Hokkaido 061-1405 Japan Tel: +81 123 34 3111 Fax: +81 123 34 2110

Kyosemi Opto America Corp: 3003 Bunker Hill Lane, Suite 102, Santa Clara, CA 95054 USA Tel: +1 408 492 1486 Fax: +1 408 492 9843