

Large Area InGaAs Photodiode

Features

- large sensitive area
- Low voltage operation
- Custom designed large area photodiode is also available

Applications

- Laser power monitor
- Laser diode and LED aging equipment
- Near infrared sensing system
- Power meters

Specifications

Absolute Maximum Ratings

| Parameter | Symbol | Value | Unit |
|-----------------------|-----------|------------|------|
| Reverse voltage | V_R | 2 | V |
| Reverse Current | I_R | 2 | mA |
| Forward current | I_F | 2 | mA |
| Operating temperature | T_{opr} | -20 to +70 | °C |
| Storage temperature | T_{stg} | -20 to +80 | °C |

Electrical and Optical characteristics (Ta=25°C unless otherwise noted)

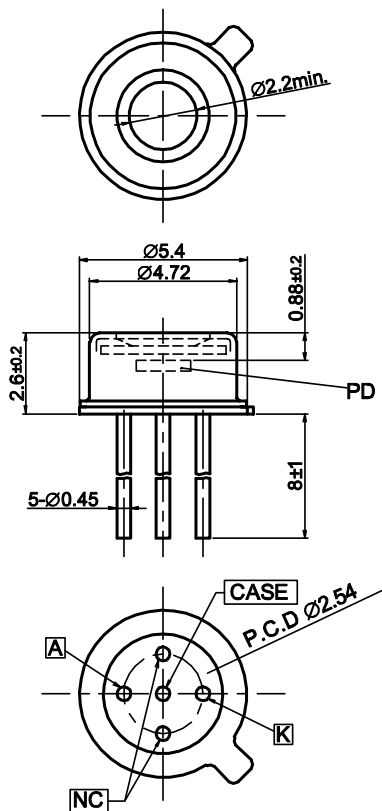
| Parameter | Symbol | Min. | Typ. | Max. | Unit | Conditions |
|-------------------|--------|------|------|------|---------------|--|
| Active diameter | D | 1.5 | | | mm | KPDE150 |
| | | 3.0 | | | mm | KPDE300 |
| Responsivity | R | 0.8 | 0.9 | | A/W | $\lambda = 1310\text{nm}$, $V_R = 1\text{V}$ |
| | | 0.9 | 1.0 | | | $\lambda = 1550\text{nm}$, $V_R = 1\text{V}$ |
| Dark current | I_D | | 1 | | μA | KPDE150, $V_R = 1\text{V}$ |
| | | | 1 | | | KPDE300, $V_R = 1\text{V}$ |
| Total capacitance | C_t | | 0.15 | | nF | KPDE150, $V_R = 1\text{V}$, $f = 1\text{MHz}$ |
| | | | 1 | | | KPDE300, $V_R = 1\text{V}$, $f = 1\text{MHz}$ |

Specifications are subject to change without notice.

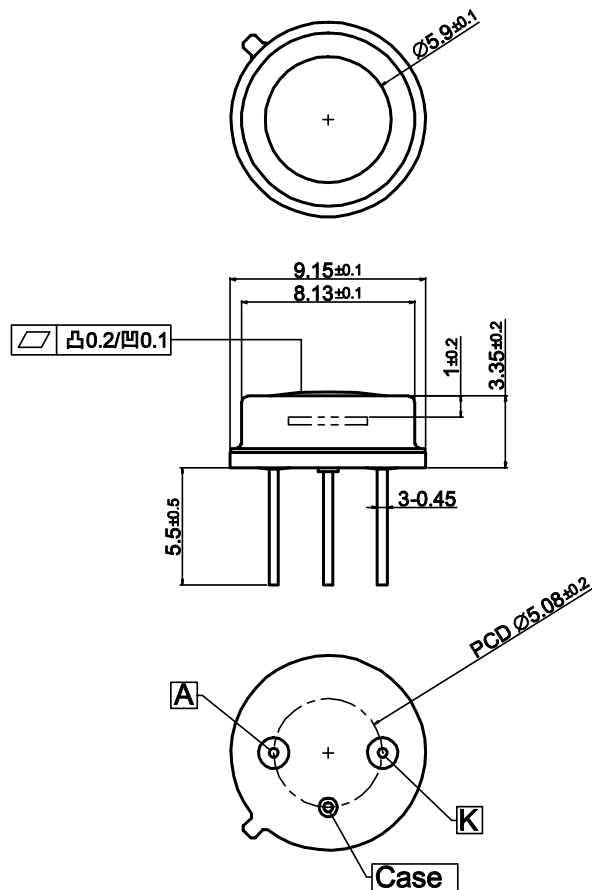
Drawings

Dimensions (unit: mm)

KPDE150-H45



KPDE300-H53



Specifications are subject to change without notice.

Contacts:

www.kyosemi.co.jp / info@kyosemi.co.jp

Kansai Sales Office: 949-2 Ebisu-cho, Fushimi-ku, Kyoto, 612-8201 Japan Tel: +81 75 605 7311 Fax: +81 75 605 7312 (Overseas Sales Dept.)
 Tokyo Sales Office: 24th Sky Building, 2nd Floor, 1-34-3 Shinjuku, Shinjuku-ku, Tokyo 160-0022 Japan Tel: +81 3 5312 5360 Fax: +81 3 5312 5367
 Eniwa Operation: 385-31 Toiso, Eniwa-shi, Hokkaido 061-1405 Japan Tel: +81 123 34 3111 Fax: +81 123 34 2110
 Kyosemi Opto America Corp: 3003 Bunker Hill Lane, Suite 102, Santa Clara, CA 95054 USA Tel: +1 408 492 1486 Fax: +1 408 492 9843

www.kyosemi-opto.com